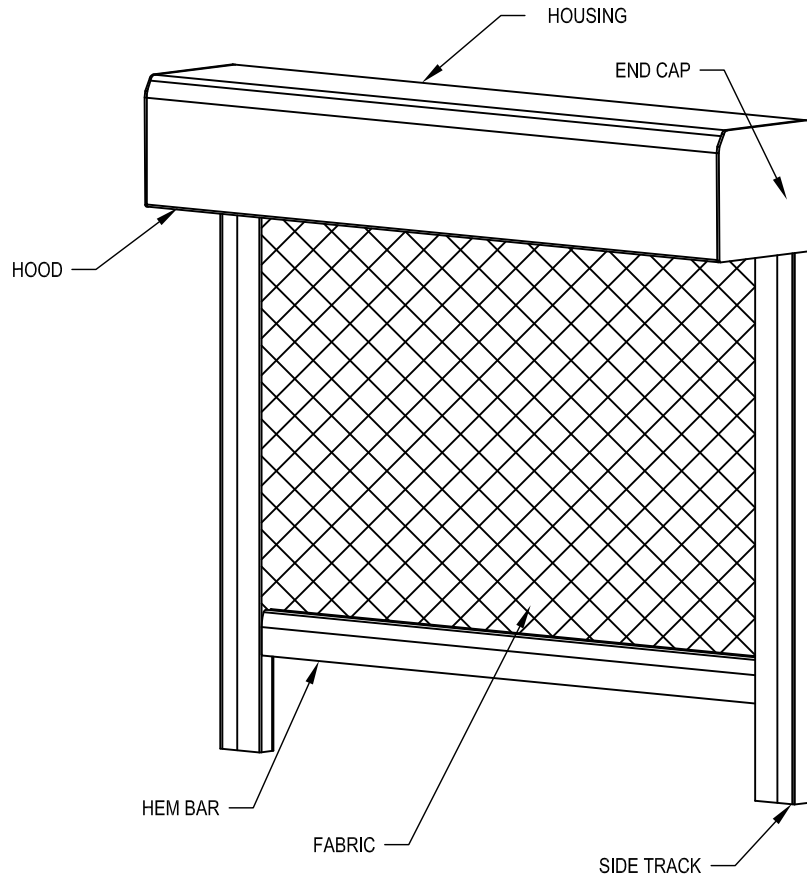




Series 5 Square Design Specifications

Spec Sheet

Application Data		
<ul style="list-style-type: none"> o Interior/Exterior Use o Maximum: 25' (w) X 20' (h) o Low to High Wind Application o Sun, Insect, Weather, or Privacy o Window, Patio, and Garage o Advertising Display 		
Fabrication Data		
<ul style="list-style-type: none"> o Registered ISO 9000/9001 o Extruded Aluminum o Nylon Components o Powder Coat Finish o 4-1/16" Roller T tube o Stainless Steel Fasteners 		
Standard Features		
<ul style="list-style-type: none"> o Extruded Aluminum Components o Side Track Retention System o Built in Dual Screen Cleaning System o Powder Coated Aluminum End Caps o Somfy/RTS Motor Drive System 		
Optional Features		
<ul style="list-style-type: none"> o Wireless Sun Sensor o Custom Color for All Metal Parts o Recessed Side Tracks (Preconstruction) o "L" Brackets for Inside Mounting o Custom Build Out 		
Electrical Data		
<ul style="list-style-type: none"> o AC Motor Specifications: 120 VAC/60Hz o 2 to 3 Amps o FCC Approved and TUV Listed o Somfy Altus RTS 535A2 o Home Automation Interface Available 		
Screen Options		
<ul style="list-style-type: none"> o Twitchell Super Insect and Solar Screen o Rainier Bug and Solar Screen o Serge Ferrari Soltis o Blackout Fabrics o Clear Window with Solid Fabrics o Solution Dyed Acrylics 		
Graphics		
<ul style="list-style-type: none"> o Custom Prints o 1 or 2 Sides – Mesh or Solid Fabric 		
Standard Hardware Colors		
o Black	o Gray	o Off White
o Bronze	o Green	o Bright White
o Brown	o Navajo	o Silver
o Desert Sand	o Tan	



PERSPECTIVE OF SERIES 5 SCREEN - SQUARE

Special Note:

When measuring the screen for an outside flush/surface mount, remember to allow for side track (each side is $2\frac{3}{8}"$) and remember to allow for the height of your housing plus the height of the hem bar is ($1\frac{7}{8}"$ plus brush size) so that nothing is in the opening. For inside mounting, always take the narrowest measurement and deduct $\frac{1}{2}"$ to allow for fastening heads and "L" mounting channel thickness (this would be total for both sides). Always use the longest measurement for calculating your drop.

Fabric seams will always run horizontally. They are placed as high as possible unless otherwise stated. Seam placement is from the bottom of the hem bar up to the seam.

NOTICE: This drawing shall not be copied or used for any purpose other than that for which provided. The information disclosed herein originated by and is the proprietary of Rainier Industries, and except for rights expressly granted by written consent. Such information shall not be disclosed or disseminated whole or in part. Rainier Industries reserves all patent, proprietary, design, use, sale, manufacturing and reproduction rights thereto.

DESIGNER: IRM	DATE: 2019-10-04	REV A
DRAWING TITLE: RAINIER SERIES 5 SQUARE SPEC SHEET		
©2019 RAINIER INDUSTRIES LTD.		SCALE 3" = 1'-0"