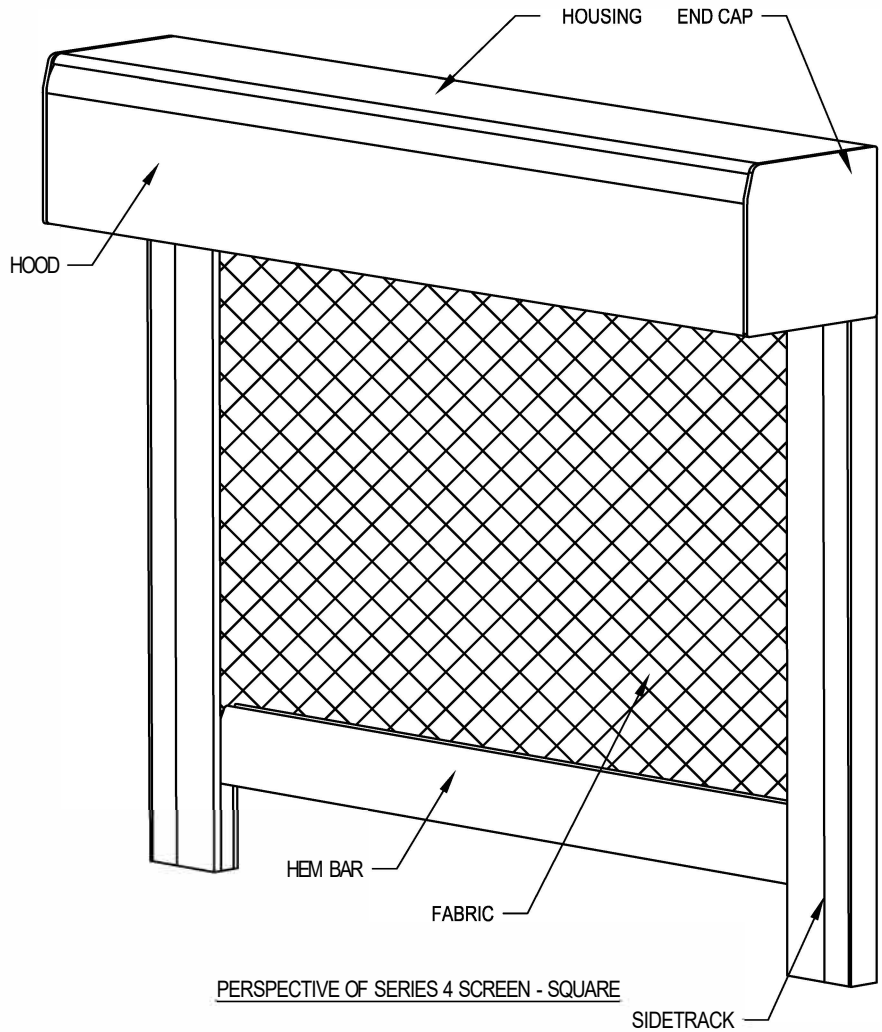




Series 4 Square Design Specifications

Spec Sheet

| | | |
|---|----------|---------------|
| Application Data | | |
| <ul style="list-style-type: none"> o Interior/Exterior Use o Maximum: 18' (w) X 10' (h) o Low to High Wind Application o Sun, Insect, Weather, or Privacy o Window, Patio, and Garage o Advertising Display | | |
| Fabrication Data | | |
| <ul style="list-style-type: none"> o Registered ISO 9000/9001 o Extruded Aluminum o Non Components o Powder Coat Finish o 3" Roller Tube o Stainless Steel Fasteners | | |
| Standard Features | | |
| <ul style="list-style-type: none"> o Extruded Aluminum Components o Side Track Retention System o Built in Dual Screen Cleaning System o Powder Coated Aluminum End Caps o Somfy/RTS Motor Drive System | | |
| Optional Features | | |
| <ul style="list-style-type: none"> o Wireless Sun Sensor o Custom Color for Al Metal Parts o Hand Crank Drive System o Recessed Side Tracks (Preconstruction) o "L" Brackets for Inside Mounting o Custom Build Out | | |
| Electrical Data | | |
| <ul style="list-style-type: none"> o AC Motor Specifications: 120 VAC/60Hz o 2to3Amps o FCC Approved and TUVListed o Somfy Altus RT S 535A2 o Home Automation Interface Available | | |
| Screen Options | | |
| <ul style="list-style-type: none"> o Twitchell Super Insect and Solar Screen o Rainier Bug and Solar Screen o Serge Ferrari Soltis o Blackout Fabrics o Solution Dyed h: ics | | |
| Graphics | | |
| <ul style="list-style-type: none"> o Custom Prints o 1 or 2 Sides - Mesh or Solid Fabric | | |
| Standard Hardware Colors | | |
| o Black | o Gray | o OffWhite |
| o Bronze | o Green | o BrightWhite |
| o Brown | o Navajo | o Silver |
| o DesertSand | o Tan | |



Special Note:

When measuring the screen for an outside, flush/surface mount, remember to allow for side track (each side is 2jt") and remember to allow for the height of your housing plus the height of the hem bar is (t plus brush size) so that nothing is in the opening. For inside mounting, always take the narrowist measurement and deduct - to allow for fastening heads and "L" mounting channel thickness (this would be total for both sides). Always use the longest measurement for calculating your drop.

Fabric seams will always run horizontally. They are placed as high as possible unless otherwise stated. Seam placement is from the bottom of the hem bar upto the seam.

NOTICE: Information disclosed herein originated by and is the proprietary of Rainier Industries, and except for rights expressly granted by written consent. Such information shall not be disclosed or disseminated whole or in part. Rainier Industries reserves all patent, proprietary, design, use, sale, manufacturing and reproduction rights thereto.