

VISTA VIEW™

Introduction



Contents

1. Mesh and Colours.....	3
2. Applications	4
3. Features	6
4. Housing Sizes and Maximum Unit Dimensions.....	6
5. Mounting.....	7
6. Handing and Orientation	8
7. Fastening	9
8. Recessed Option.....	10
9. Additional Options	11
10. Other Considerations	12

VistaView screens are thoughtfully designed to provide a contemporary look, be simplistic in use, and ensure reliable, superior performance.

1. Mesh and Colours

Wizard offers a wide range of specialty mesh that suits the customers needs.

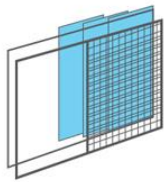
The beauty of the customer's panoramic view is maintained with the pleat-less mesh Wizard uses in all of our systems.



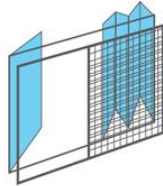
Colours are custom formulated for Wizard by Akzo Nobel - optional custom finishes and RAL colours are also available.

Contact your rep for the latest offerings.

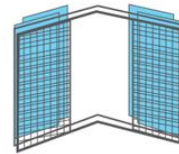
2. Applications



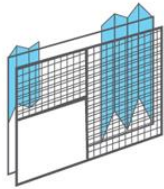
Multi - Sliding Doors



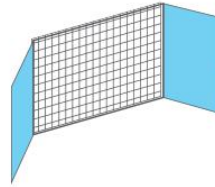
Bi-Fold Doors



Corner Openings



Split Height



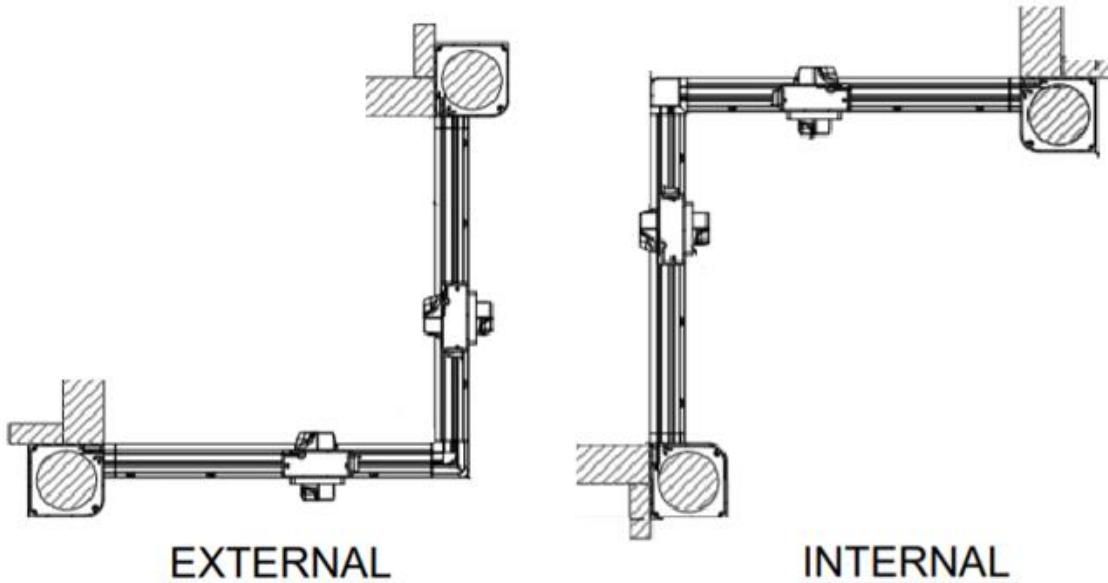
French Doors

Double screens

50:50 splits or **off-centre splits**. I.e. The tracks can meet at a location *other than centre*.

***NOTE:** Pull-bars stop at the **track joiners**.

90° Corners - possible in post-less openings.



Ex. Internal Corner



***NOTE:** The *handle heights* are offset 4 ½”.

3. Features



Auto-Stop

Homeowners gain full control with the convenience of unlimited stopping points. Automatically stops when the handle is released.



Captured Mesh

A zipper welded to the mesh keeps the screen tight, prevents blow-outs and gives strength to withstand high winds.



Recessed Track

VistaView screens can be recessed to provide a smooth transition and finished look.

4. Housing Sizes and Maximum Unit Dimensions

	Single (W x H)	Double (W x H)
60 mm [2 3/8"]	6' x 10'	12' x 10'
70 mm [2 3/4"]	10' x 10'	20' x 10'
80 mm [3 1/8"]	14' 6" x 11'	29' x 11'

5. Mounting

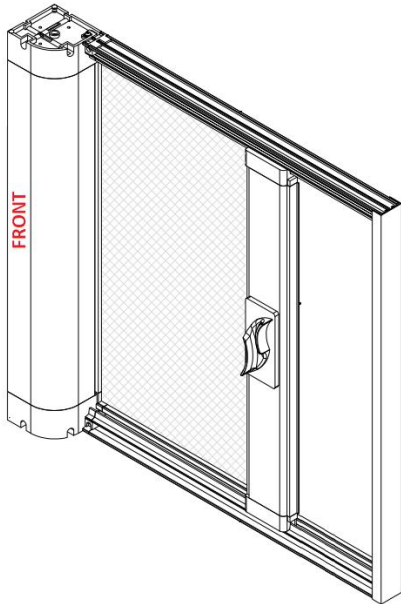
The VistaView can be mounted either **(1) onto the face** or **(2) under-header/in-jamb**.



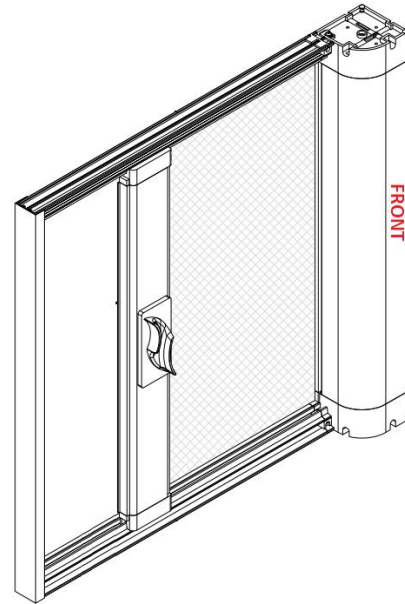
6. Handing and Orientation

Handing is determined as if looking at the **FRONT** of **SCREEN**

LEFT-hand



RIGHT-hand

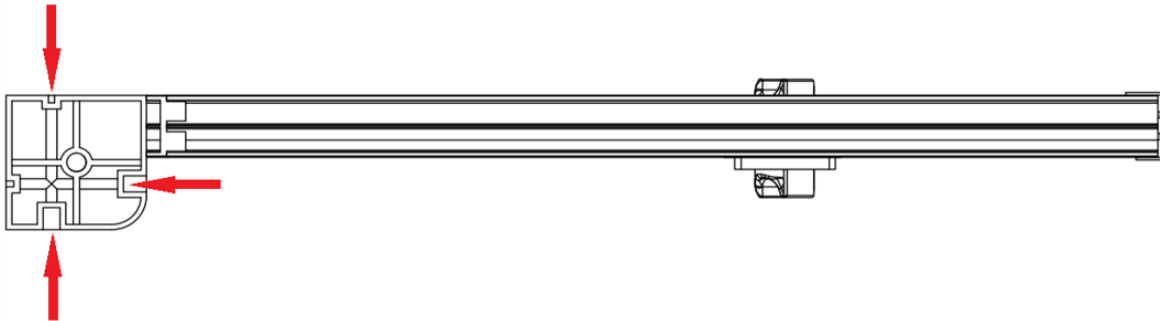


	<u>LEFT-handed Screen</u> (blue man looking LEFT)	<u>RIGHT-handed Screen</u> (blue man looking RIGHT)
Mesh and tracks <i>further from</i> door	<p>A</p>	<p>B</p>
Mesh and tracks <i>closer to</i> door (more common)	<p>C</p>	<p>D</p>

7. Fastening

Housing

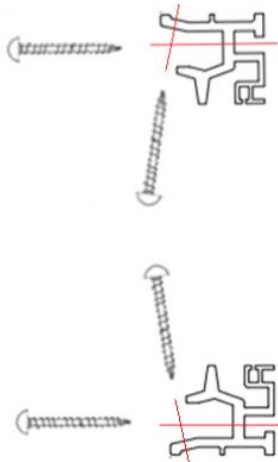
VistaView *housings* can be fastened through the **front, back, or inside** locations.



Tracks

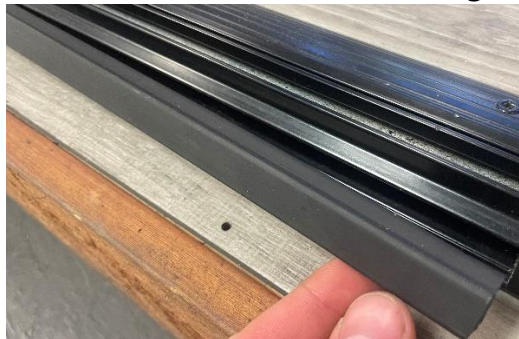
Upper & Lower Tracks are **identical**.

Tracks can be fastened with screws oriented **vertically or horizontally** to suit install.



Optional Track Covers

Optional Track Covers can be ordered and applied to the tracks to conceal the screws (available in black, white, and grey).



8. Recessed Option

*Lower tracks and lower housing endcap can be **recessed** into a recess channel & cup.*



See [Recessed Installation Video](#)

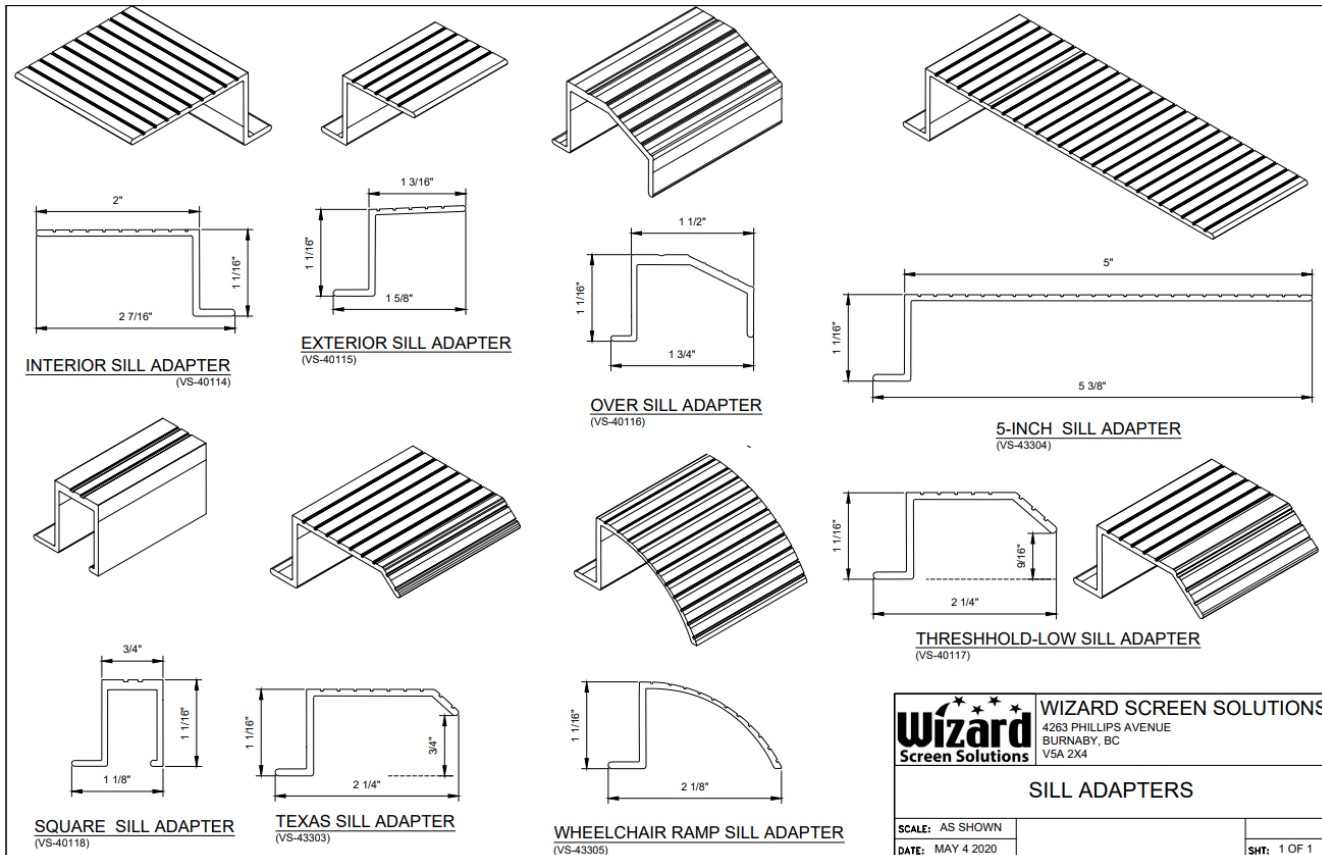
***NOTE:** Recessing for an exterior application is **highly NOT recommended** due to more than usual dirt, debris, and water build-up, hence requiring more attention and maintenance.

9. Additional Options

Sill Adapters

Available in **80" lengths**. Orderable under "RetractaView Parts".

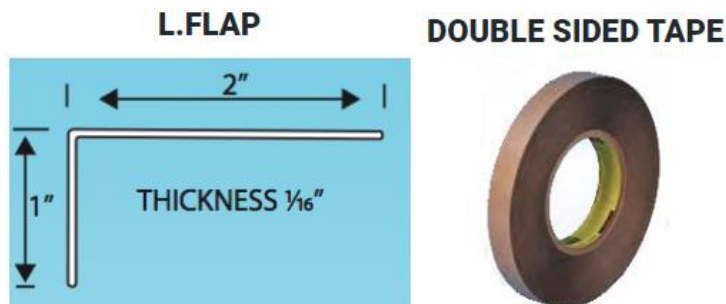
[Sill Adapters \(wizardscreens.com\)](http://wizardscreens.com)



L-Flaps

Can be used to conceal gaps. Can affix with double-sided tape.

Available in **96" lengths**. Orderable under "RetractaView Parts".



***NOTE:** Sill Adapter and L-Flap standard colours do *not* match VistaView standard colours exactly.

10. Other Considerations

Concealing

The VistaView *housing* and *upper track* should not be **concealed**. Otherwise, **ensure they can be removed easily** in the event the screen requires servicing. Do *not* embed the upper track into the header or ceiling. **It is the responsibility of the builder to develop removable trim work.**

See [Recessed Installation Video](#)

Exterior Applications

If *lower tracks* are mounted on top of the threshold on the exterior where it is exposed to weather, it is recommended that **weep holes be drilled through the tracks**. *Track* pilot holes should be applied with dabs of **silicone sealant** before the screws are fastened.

Recessing for an exterior application is **highly NOT recommended** due to more than usual dirt, debris, and water build-up, hence requiring more attention and maintenance.