

VISTAVIEW™

Measuring Guide



Contents

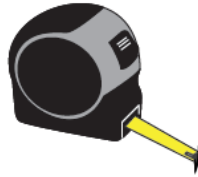
1. Tools Needed	3
2. Orientation & Width	3
3. Vertical Measurement	4
4. Component Dimensions.....	6

1. Tools Needed

Level



Tape Measure



Pencil



*Laser Distance Measure optional



2. Orientation & Width

WIDTH OF DOUBLE

measure from back of housing to back of housing



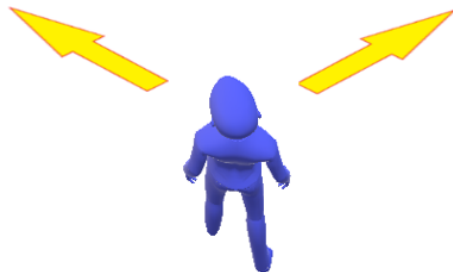
WIDTH OF SINGLE

measure from back of housing to back of receiver channel



Order as **LEFT**

Order as **RIGHT**



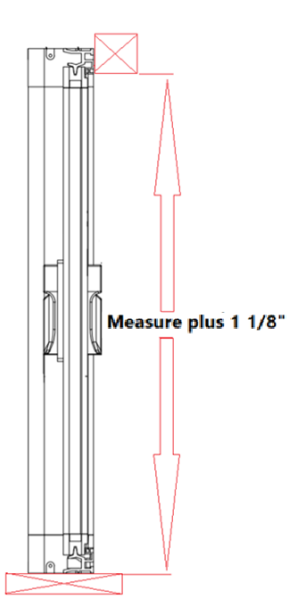
3. Vertical Measurement

a) Vertical Measurement (Retrofit)

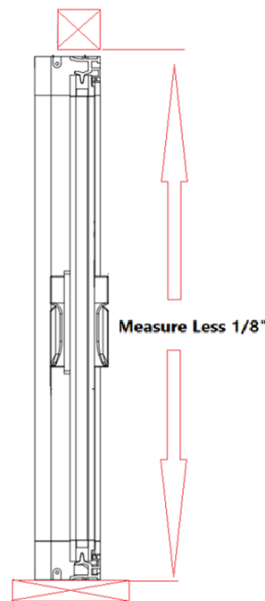
***NOTE:** The measurement from the top of upper track to the bottom of lower track is the same as the height of the housing (see figures).

For all configurations, measure from the finish floor to the underside of header at multiple points along the opening. Record the smallest measurement.

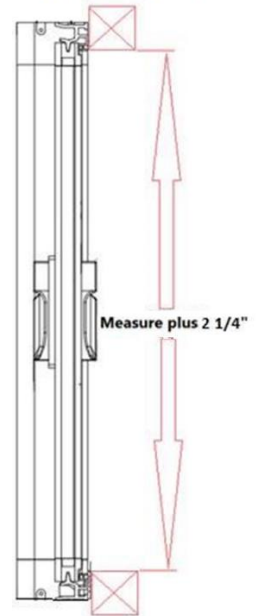
Upper Track - Surface Mount



Upper Track - Under-Header



Upper and Lower Tracks
- Surface Mount



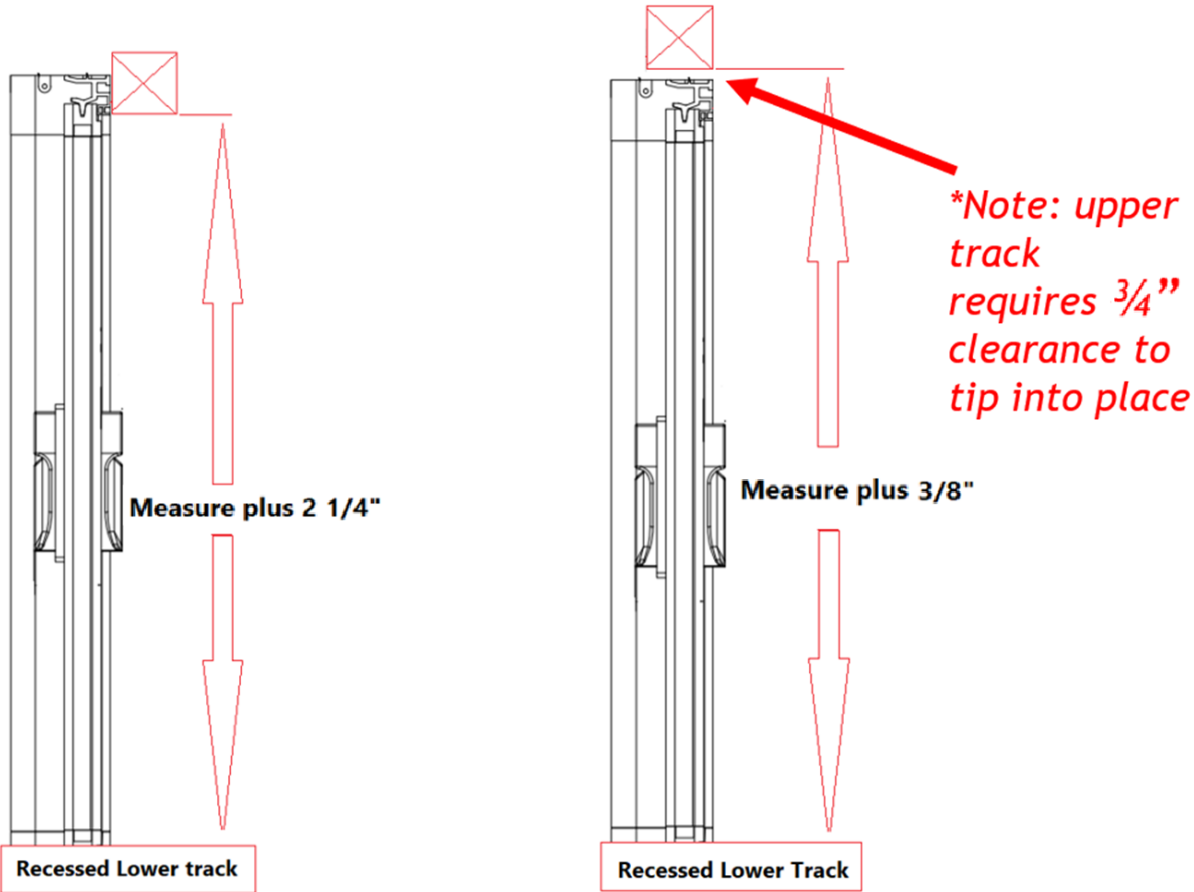
Applications	Deduction/Addition
Upper Track - Surface Mount	+ 1 1/8"
Upper Track - Under-Header	- 1/8"
Upper and Lower Tracks - Surface Mount	+ 2 1/4"

b) Vertical Measurement (with recessed lower track)

The determined measurements are different for a VistaView with a recessed lower track.

Upper Track - Surface Mount

Upper Track - Under-Header



Applications (Recessed Lower Tracks)	Deduction/Addition
Upper Track - Surface Mount	+ 2 1/4"
Upper Track - Under-Header	+ 3/8"

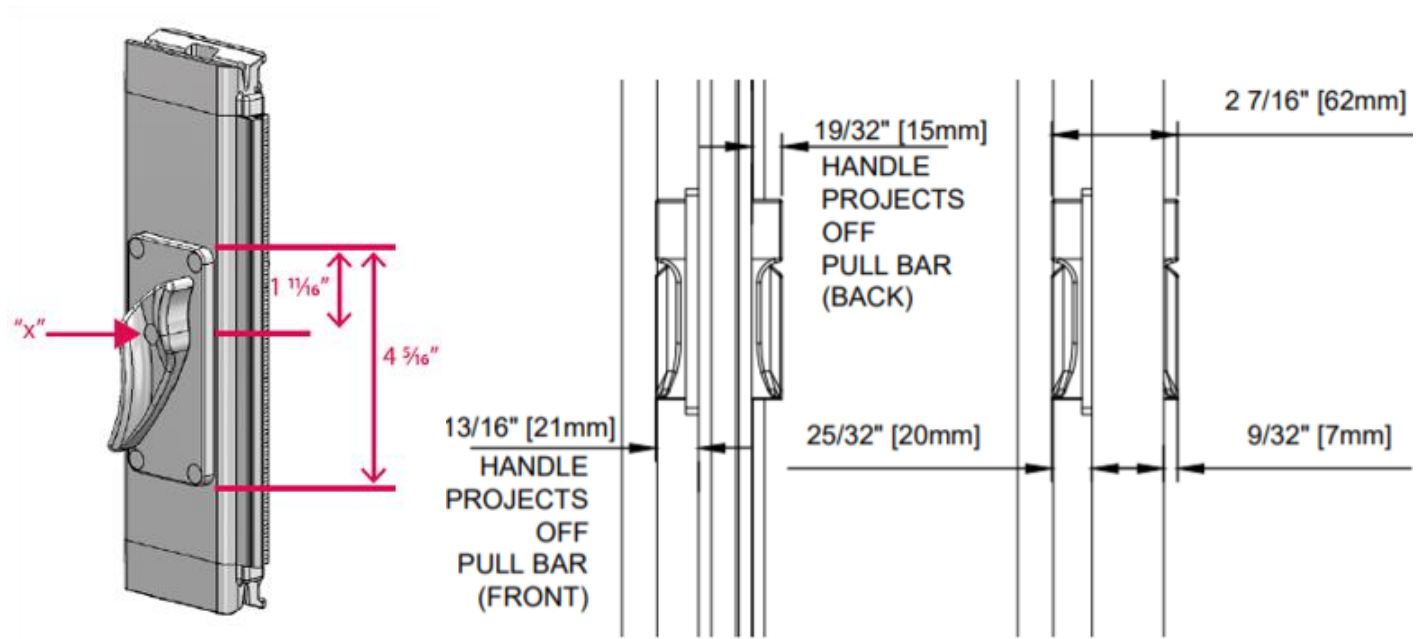
The installer does not need to calculate anything beyond this when inputting the final height measurement for ordering.

4. Component Dimensions

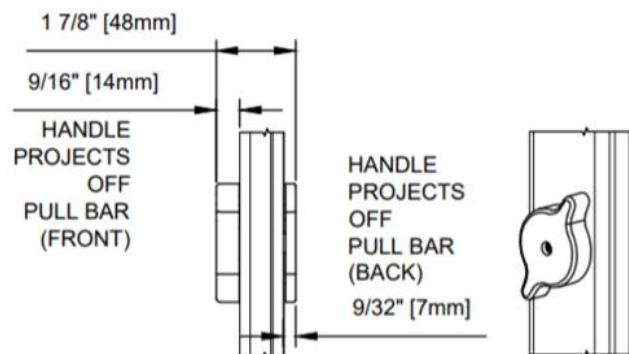
Handles

Handle height is the distance between bottom of both unit and tracks and “x”.

Standard Handle



Low-profile Handle



On corner systems, the *handle heights* are offset by 4 ½”.



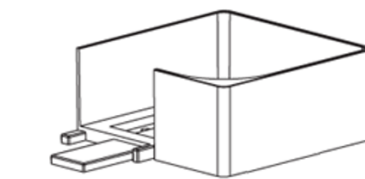
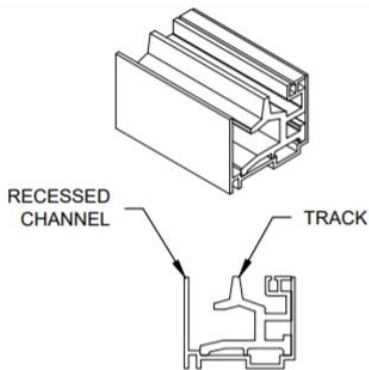
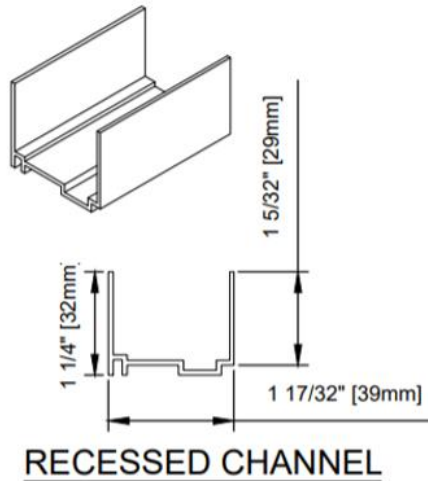
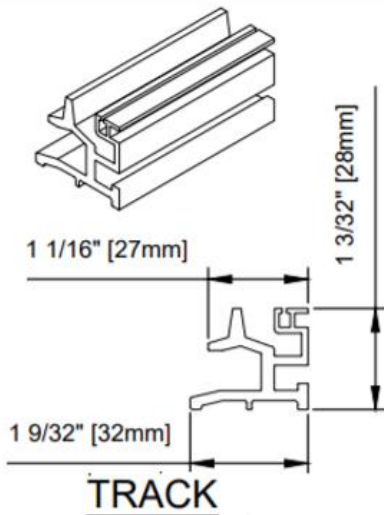
The standard *handle height* is 4" below center of pull bar.

The *handle height* may instead be ordered at a **custom height**, including center.

Handle heights are required for ordering.

***NOTE:** Ensure the VistaView *handle* will be able to clear existing door hardware if necessary.

Tracks and Recessed Channels



- 60mm - 2 1/2" wide x 1 1/4" tall
- 70mm - 2 7/8" wide x 1 1/4" tall
- 80mm - 3 1/4" wide x 1 1/4" tall

TRACK IN RECESSED CHANNEL

Recessed cups



TRACK SCREW COVER

***NOTE:** For exterior applications regarding *Recess Channel*, *Recessed Cups*, and *Tracks*: Water egress is the responsibility of the general contractor or builder.